

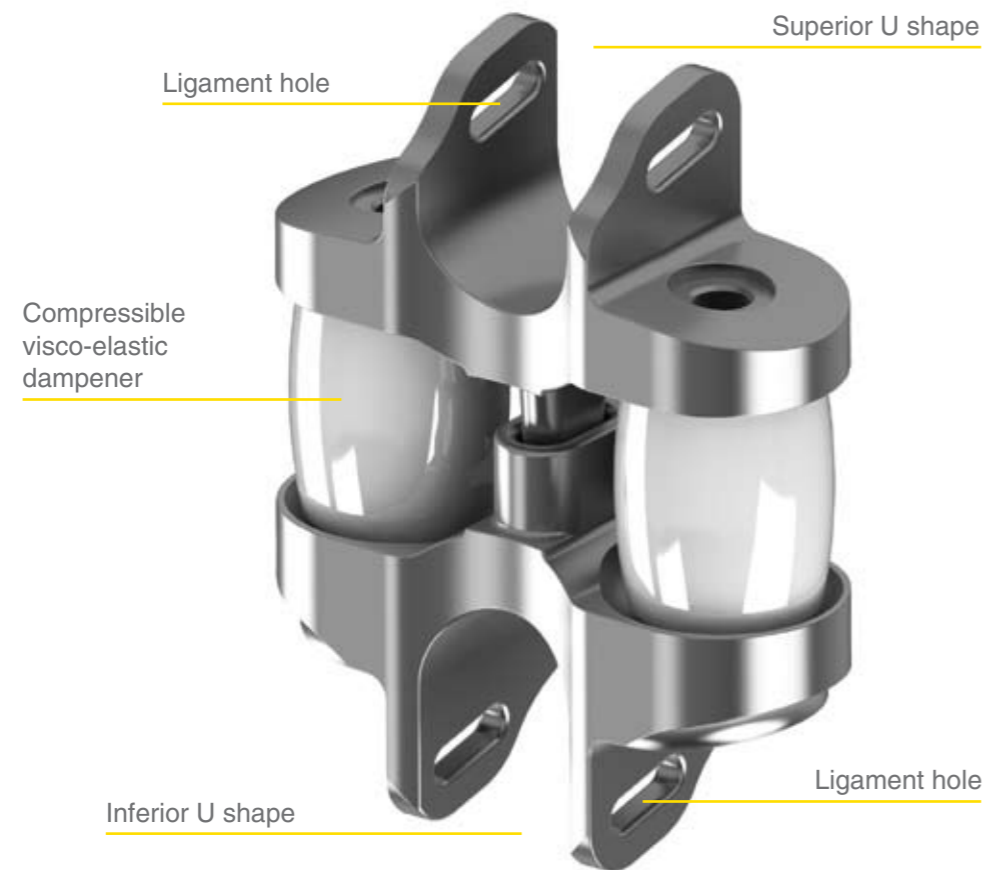
WELLIX™

DYNAMIC INTERSPINOUS
TECHNOLOGY

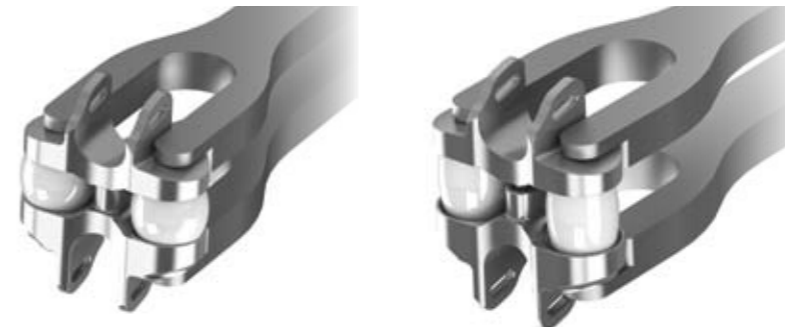


WELLEX™

The WELLEX™ Interspinous Process Technology aims at perfecting the balance between motion and stability by restoring the posterior tension band, the facet congruence and the foraminal height. The WELLEX™ maintains flexion, axial rotation and lateral bending, but more importantly, it is not an extension blocker; it controls extension dynamically. Developed by Dr. Jean-Marc Fuentes from France and Eden Spine™, this technology is based on over 10 years of clinical experience with similar devices.

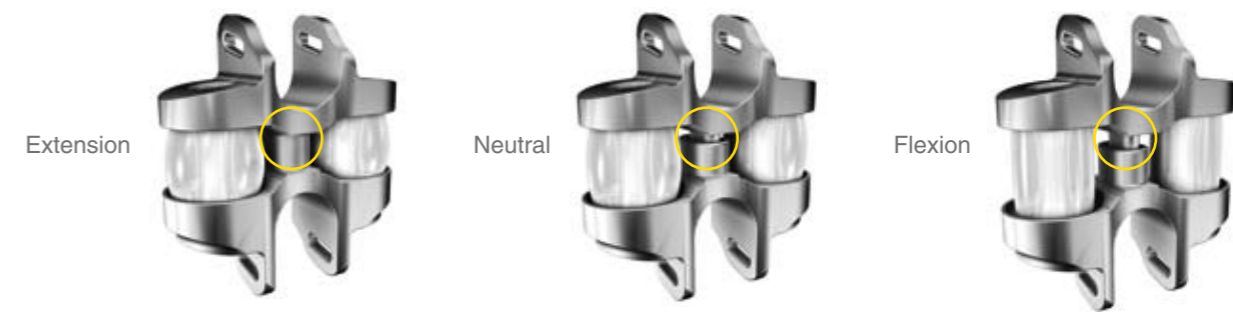


Compression



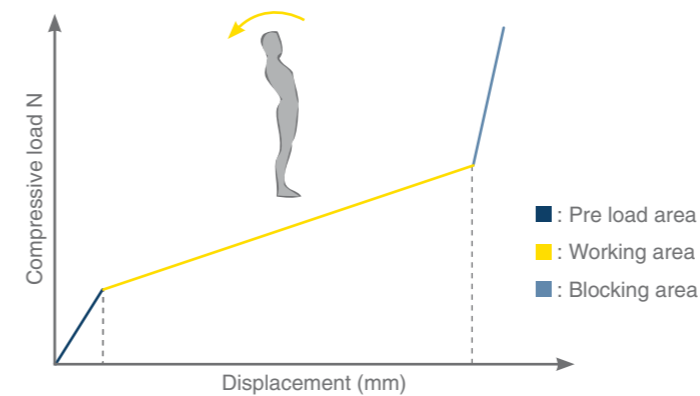
Insertion of the device is achieved in a compressed state. The inserter maintains the device in compression, avoiding removal of bony elements of the spinous process. It also avoids the risk of implant migration.

WELLEX™ kinematic



Adjustable stiffness

The WELLEX™ is capable to support a load while maintaining its axial range of motion. It allows dynamic movement that controls extension and restores natural balance. The surgeon has a choice of stiffness, allowing him to adapt the implant to the patient's morphology.



IMPLANT CONFIGURATION	
Inter spinous height	Stiffness
8 mm	50 N
	100 N
10 mm	50 N
	100 N
12 mm	50 N
	100 N
14 mm	50 N
	100 N
16 mm	50 N
	100 N

KEY BENEFITS OF IMPLANT DESIGN

- Maintains physiologic kinematics of the FSU and allows movement in flexion, extension and lateral bending.
- Restores facets congruence.
- Increases the segmental stiffness.
- Reduces abnormal posterior loading.
- Restores and maintains intervetebral dimensions.

CHARACTERISTICS

- Restoring the inter spinous height and controlling extension; continuous and controlled distraction.
- Inter spinous height from 8 to 16 mm, increasing by 2 mm.
- 2 levels of stiffness, depending of the patient anatomy.
- One single instrument for holding and implanting.
- Implants are delivered in sterile packaging.
- Streamlined instrumentation.
- Titanium alloy TA6V-ELI construct (ASTM F 136 and ISO 5832-3) is CT and MRI compatible.



www.edenspine.com
info@edenspine.com

Eden Spine Europe SA
41, rue du 31 decembre
1207 Geneva Switzerland
Tél.: +41 22 310 29 11
Fax: +41 22 310 29 13

Eden Spine LLC
377 Maitland Ave - Suite 1015
Altamonte Springs, FL 32701
Phone: +1 407 900 9986
Fax: +1 407 264 8303